



**CITY OF NOVI CITY COUNCIL
DECEMBER 6, 2021**

SUBJECT: Approval of Resolution to Transfer Sewage Flow Meter 5730, also known as BG1, from the City of Novi to the County of Oakland.

SUBMITTING DEPARTMENT: Department of Public Works, Water & Sewer Division

BACKGROUND INFORMATION:

The City of Novi has three sanitary sewage collection systems, the largest of which is the Huron Rouge Sewage Disposal System (HRSDS). This system has one flow meter on Eight Mile, west of Novi Road, which is used to measure all flow from the HRSDS for contractual and billing purposes.

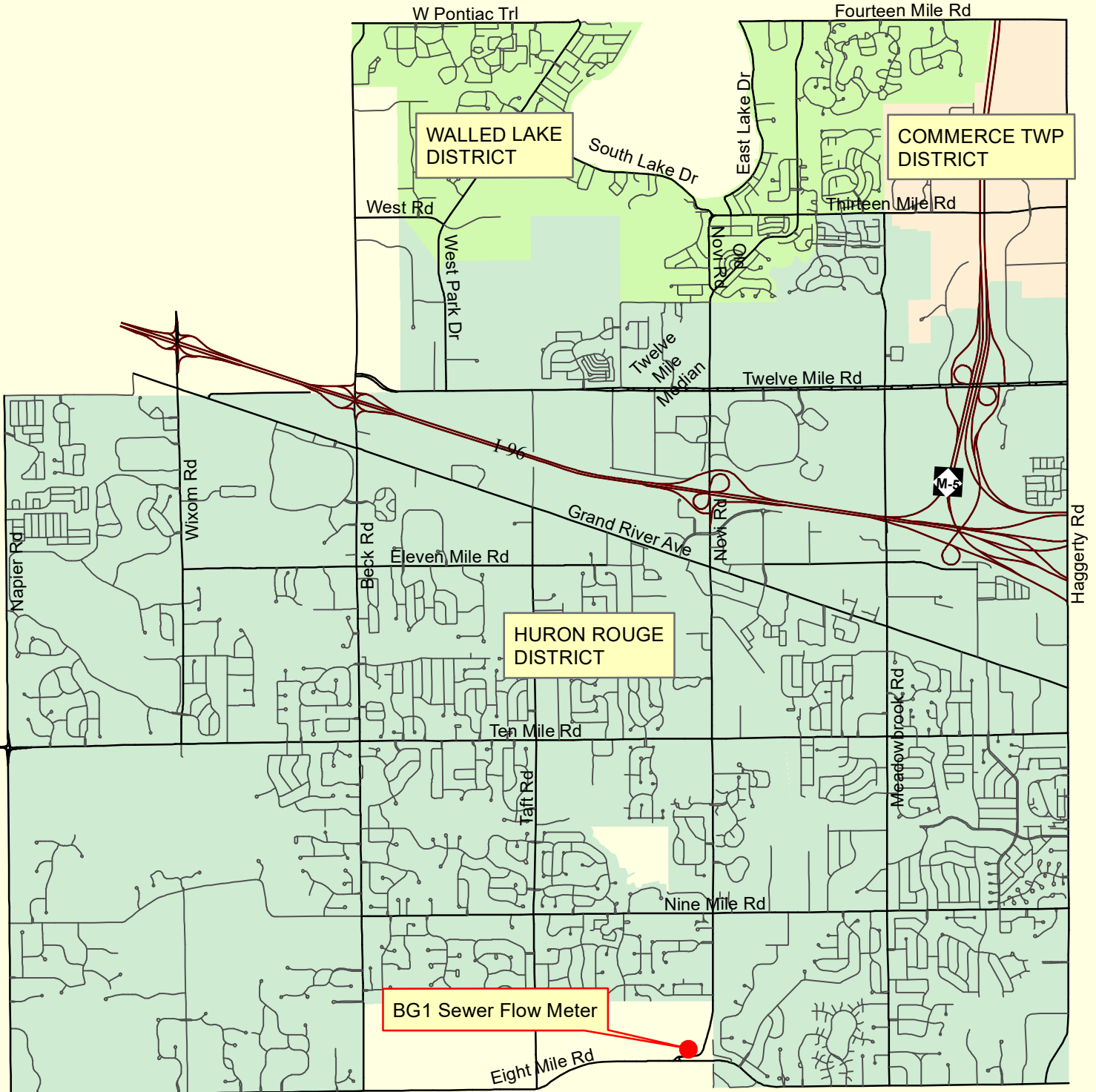
This meter is currently owned and maintained by Novi. However, since the meter resides in pipe owned by Oakland County Water Resource Commission (WRC), transferring ownership of the meter to WRC has been a consideration for some time. Presently, the construction of the HRSDS Retention Facility requires a tie into the data feed from the meter for the facility operation (by WRC). Staff determined the transfer of ownership from Novi to WRC is now appropriate. WRC will assume operation and maintenance of the meter, but the City will maintain the ability to collect meter flow data as needed.

The attached *Resolution To Transfer A Sewage Flow Meter 5730 Also Known As BG1 From The City Of Novi To The County Of Oakland* has been developed to transfer ownership of the meter to WRC from Novi. The City Attorney has reviewed this resolution and finds it acceptable (Beth Saarela, November 18, 2021).

RECOMMENDED ACTION: Approval of Resolution to Transfer Sewage Flow Meter 5730, also known as BG1, from the City of Novi to the County of Oakland.

BG1 Sanitary Sewer Meter

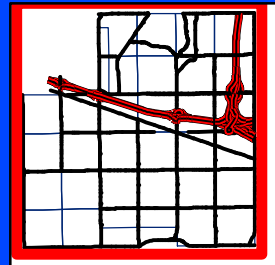
Location Map



Map Author: Croy
 Date: 11/18/21
 Project: BG1 Ownership
 Version #: v1.0

MAP INTERPRETATION NOTICE

Map information depicted is not intended to replace or substitute for any official or primary source. This map was intended to meet National Map Accuracy Standards and use the most recent, accurate sources available to the people of the City of Novi.
 Boundary measurements and area calculations are approximate and should not be construed as survey measurements performed by a licensed Michigan Surveyor as defined in Michigan Public Act 132 of 1970 as amended. Please contact the City GIS Manager to confirm source and accuracy information related to this map.



City of Novi
 Engineering Division
 Department of Public Services
 26300 Lee BeGole Drive
 Novi, MI 48375
 cityofnovi.org



1 inch = 4,300 feet



**CITY OF NOVI
RESOLUTION TO TRANSFER A SEWAGE FLOW METER
5730 ALSO KNOWN AS BG1 FROM THE CITY OF NOVI
TO THE COUNTY OF OAKLAND**

At a regular meeting of the City Council of the City of Novi, Oakland County, Michigan held on the ____ day of _____, 2021.

PRESENT:

ABSENT:

The following resolution was offered by _____ and seconded by _____:

WHEREAS the City of Novi currently owns, operates, and maintains a sewage flow meter commonly referred to as “Meter 5730” or alternatively as “Meter BG1” which measures the level of sewage flow and converts that level to a flow rate using a flume equation; and

WHEREAS the City of Novi collects the metered flow rate data via a Supervisory Control and Data Acquisition (SCADA) connection and shares it monthly via email with the Oakland County Water Resources Commissioner’s office and the Rouge Valley Sewage Disposal System; and

WHEREAS both the City of Novi and the County of Oakland, by and through the office of the Water Resources Commissioner (WRC), desires to transfer the operation and maintenance responsibilities of the meter from the City to the County; and

WHEREAS after careful consideration and review, the City of Novi and the County of Oakland have concluded that the best option for providing continued uninterrupted service to the public served by the Huron-Rouge Sewage Disposal System is the transfer of ownership of the meter, along with any and all operation and maintenance responsibilities, from the City of Novi to the County of Oakland; and

WHEREAS the Water Resources Commissioner, has qualified personnel capable of providing efficient, uninterrupted operations and maintenance services to the meter; and

WHEREAS such transfer would provide greater efficiency to the public served through additional data collection by the WRC and the Huron-Rouge Sewage Disposal System; and

WHEREAS upon completion of such transfer, the City would be released from all operation and maintenance obligations along with any associated costs; and

WHEREAS the City would continue to collect metered flow rate data via a city-owned Supervisory Control and Data Acquisition (SCADA) connection; and

WHEREAS the City would continue to be responsible for the maintenance of its SCADA connection and all associated hardware and software components; and

WHEREAS the County would collect metered flow rate data as well via a separate, county-owned SCADA connection.

NOW THEREFORE BE IT RESOLVED that the City does hereby approve the transfer of Meter 5730 from the City to the County of Oakland, in its current, as-is condition, with no warranties of any kind.

BE IT FURTHER RESOLVED that the City hereby authorizes and grants binding authority to the Clerk of the City of Novi to execute the transfer from the City to the County.

BE IT FURTHER RESOLVED that an executed copy of this resolution by the Clerk shall be forwarded to the Oakland County Water Resources Commissioner, located at One Public Works Drive, Waterford, Michigan 48328 to the attention of the Senior Attorney.

RESOLUTION DECLARED ADOPTED.

YEAS:

**OAKLAND COUNTY
WATER RESOURCES COMMISSIONER****MEMORANDUM**

TO: The Honorable Mayor Bob Gatt and Novi City Council

FROM: Jim Nash, Water Resources Commissioner

SUBJECT: Transfer of a Sewage Flow Meter from the City of Novi to Oakland County

DATE: November 17, 2021

During discussions between my engineering staff and representatives of the City of Novi, it was concluded that the City of Novi would like to transfer ownership of its sewage flow meter referred to as "Meter 5730" or alternatively as "Meter BG1" from the City to Oakland County.

The attached resolution is being offered to accommodate that mutual goal. This proposed transfer will provide continued uninterrupted service to the public served by the Huron-Rouge Sewage Disposal System. In addition to the ownership transfer, all operation and maintenance responsibilities and any associated costs will be transferred as well.

I would also note that the City currently collects metered flow data via a Supervisory Control and Data Acquisition (SCADA) connection and shares the collected information with my office and with the Rouge Valley Sewage Disposal System. This transfer would not impact that collection of data. The City would continue to collect data via a city-owned SCADA connection. At the same time, the County will collect data as well via a separate, county-owned SCADA connection.

This resolution is evidence that the well-established cooperation between the City of Novi and Oakland County continues unabated. Once you have adopted the resolution, I will shepherd it through the process of adoption by the Oakland County Board of Commissioners.

ELIZABETH KUDLA SAARELA
esaarela@rsjalaw.com

2755 Executive Drive, Suite 250
Farmington Hills, Michigan 48331
P 248.489.4100 | F 248.489.1726
rsjalaw.com



ROSATI | SCHULTZ
JOPPICH | AMTSBUECHLER

November 18, 2021

Ben Croy, City Engineer
City of Novi
Department of Public Works
Field Services Complex
26300 Lee BeGole Drive
Novi, MI 48375

RE: Transfer a Sewage Flow Meter 5730 from the City of Novi to the County Of Oakland

Dear Mr. Croy:

We have received and reviewed the revised Resolution to Transfer a Sewage Flow Meter 5730 Also Known As Bg1 From The City Of Novi To The County Of Oakland. Oakland County accepted and incorporated the suggested revision regarding the meter being transferred in its "as-is" condition. We have no further comments or concerns regarding the content of the Resolution. The Resolution is in the proper format for the purpose of transferring the meter to Oakland County in its existing condition for the purpose of the County taking over ownership, operation, maintenance, repair and replacement of the meter.

Please feel free to contact me with any questions or concerns in regard to this matter.

Very truly yours,

ROSATI SCHULTZ JOPPICH
& AMTSBUECHLER PC

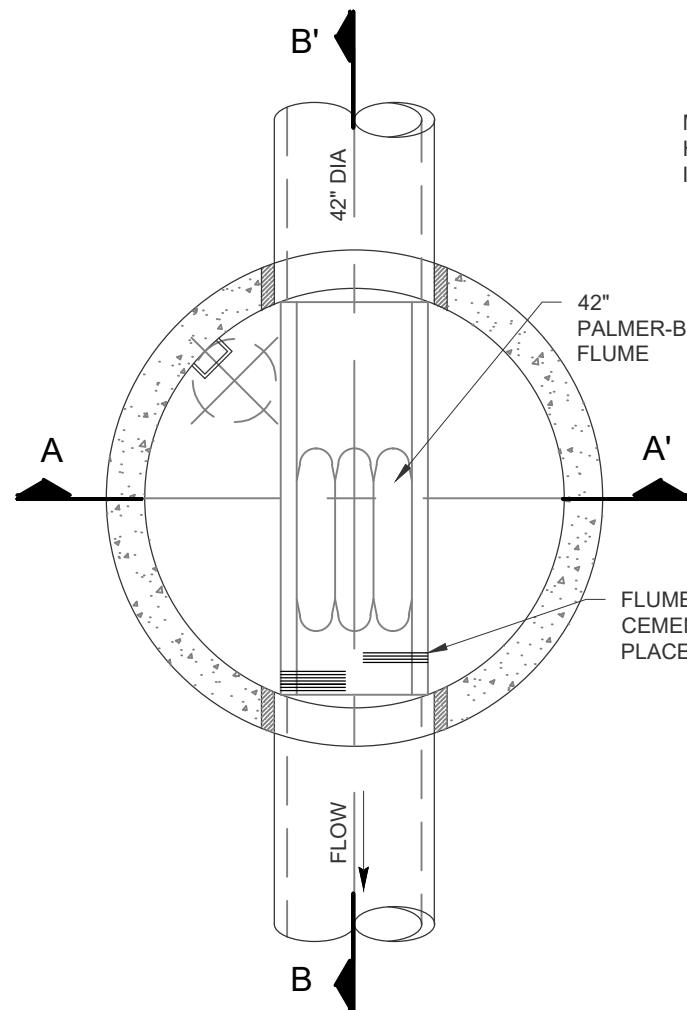


Elizabeth Kudla Saarela

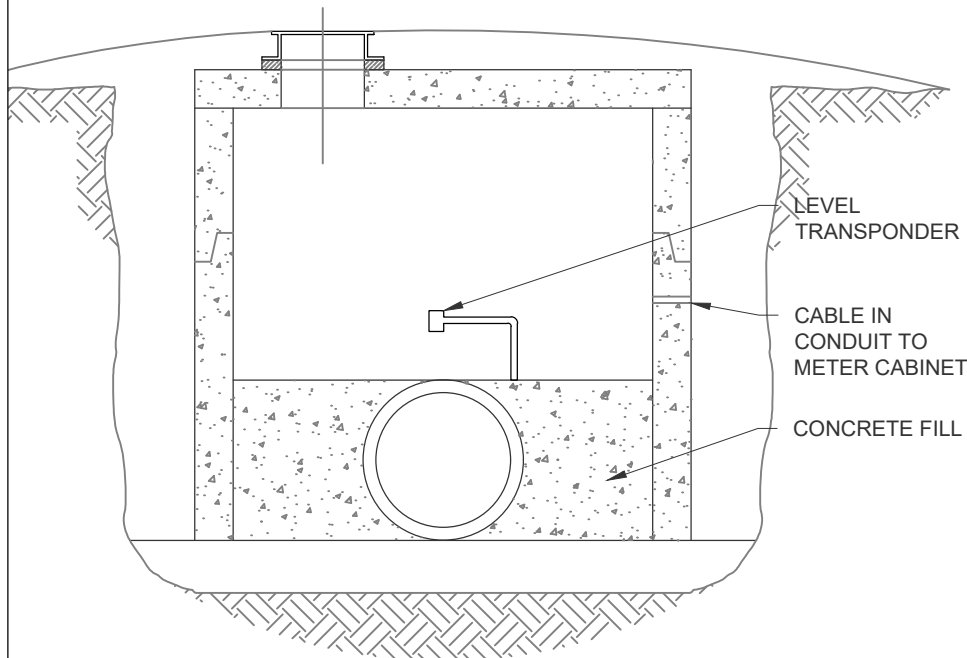
EKS
Enclosure

C: Cortney Hanson, Clerk (w/Enclosure)
Jeff Herczeg, Director of Public Works (w/Enclosure)
Thomas R. Schultz, Esquire (w/Enclosure)

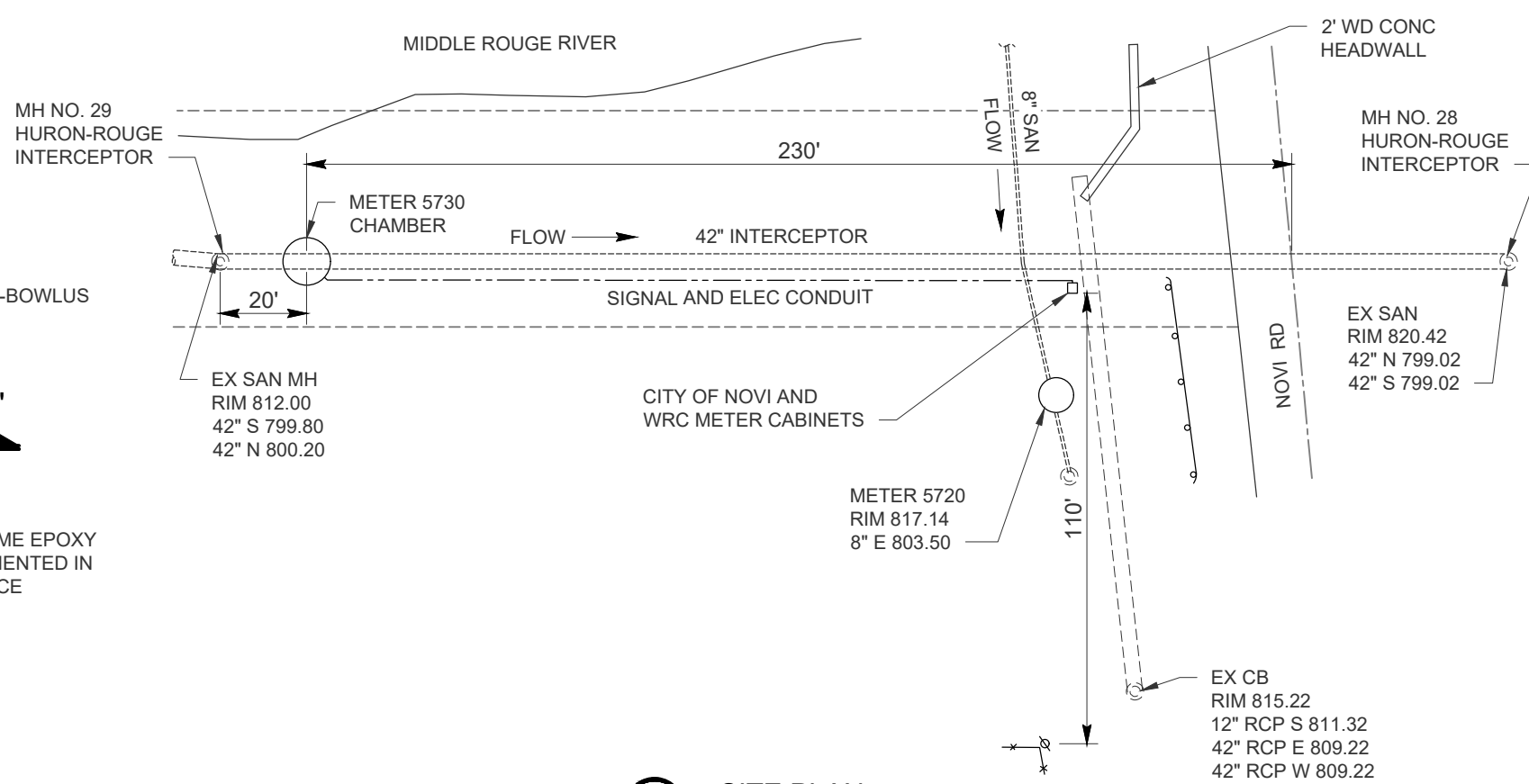
C:\Users\Doria Herold-Jackson\OneDrive - Applied Science, Inc\1618\METER 5730.dwg Sep 23, 2021 - 6:02pm



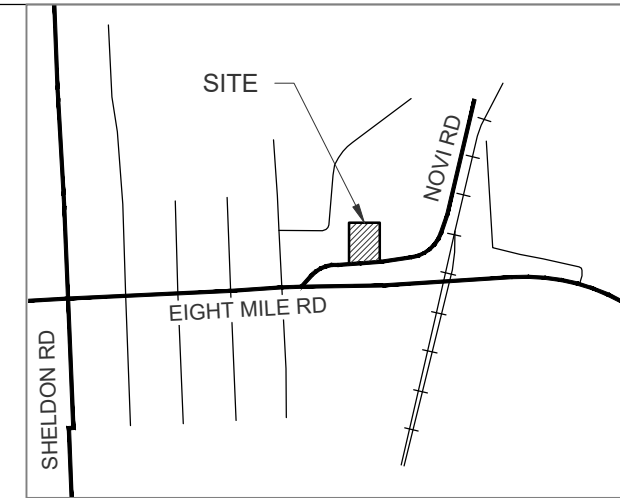
METER PIT PLAN
SCALE: 1" = 5'



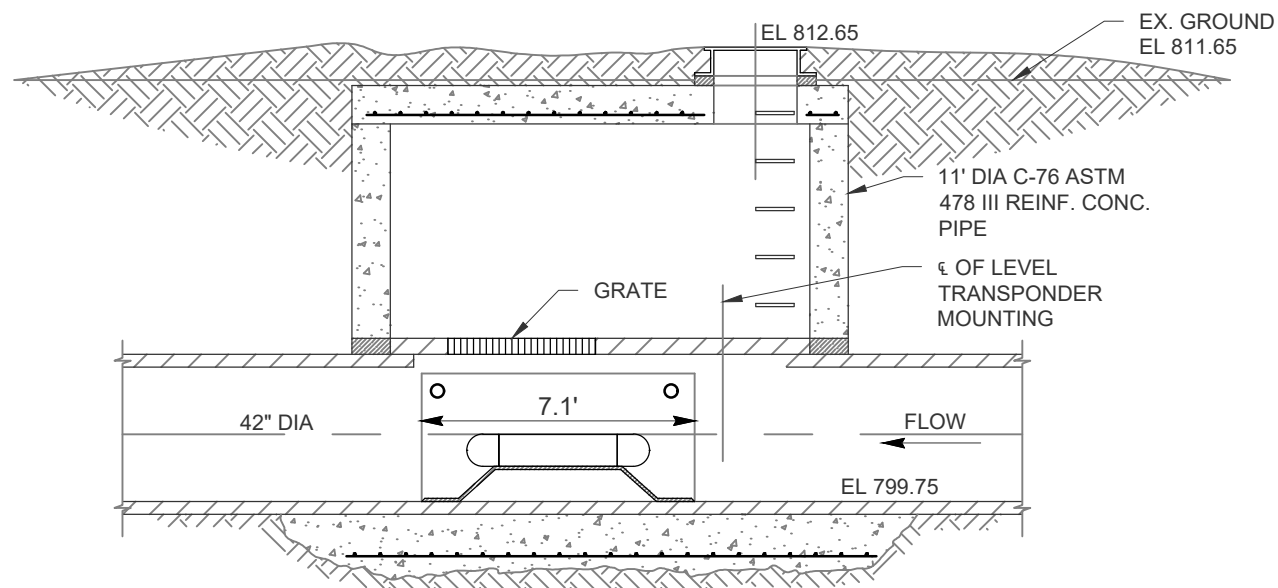
METER PIT SECTION A-A'
SCALE: 1" = 5'



SITE PLAN
SCALE: 1" = 40'



LOCATION MAP
NO SCALE



METER PIT SECTION B-B'
SCALE: 1" = 5'

DATE: SEPTEMBER 2021

PREPARED BY:



METER 5730 SITE PLAN AND DETAILS

PROJECT NO: #1618
SCALE: AS SHOWN

FIGURE 1

DRAWING NO: