



cityofnovi.org

CITY of NOVI CITY COUNCIL

Agenda Item 2
July 7, 2014

SUBJECT: Approval to award a construction contract for the Water Storage Facility to be located at the northeast corner of West Park Drive and Twelve Mile Road to Sorensen Gross Construction Services, the low bidder, in the amount of \$3,363,889, subject to and contingent upon the City's acquisition of all required property for construction as proposed, including parcel 22-09-451-022, with the final form of the agreement to be reviewed and approved by the City Manager and City Attorney.

SUBMITTING DEPARTMENT: Department of Public Services, Water and Sewer Division

CITY MANAGER APPROVAL: 

EXPENDITURE REQUIRED	\$ 3,363,889
AMOUNT INCLUDED IN C.I.P.	\$ 5,500,000 (Water Storage Facility) \$ 303,200 (Water SCADA System) \$ 5,803,200 (Total)
LINE ITEM NUMBER	592-592.00-976.003 (Water Storage Facility) 592-592.00-976.004 (Water SCADA System)

BACKGROUND INFORMATION:

In an effort to reduce water rates from the Detroit Water and Sewerage Department (DWSD), the City proposes to construct a water storage facility to reduce peak usage from DWSD. A previous analysis that was shared with City Council indicated that a ground storage tank at the corner of West Park Drive and 12 Mile is the most cost effective option to achieve the desired rates savings. A location map of the site of the proposed storage tank and a layout of the proposed tank are provided as an attachment.

Four (4) bids were received and opened on June 24, 2014 following completion of the project design and a public bid solicitation period. A summary of the four bids is as follows:

Contractor	Bid Price
Sorensen Gross Construction Services	\$3,363,889
Z Contractors	\$3,482,711
RCL Construction Co.	\$3,567,134
Spence Brothers	\$3,704,000

The lowest bidder is Sorensen Gross Construction Services in the amount of \$3,363,889, which is well below the Engineer's Opinion of Probable Construction Cost of \$4,004,000. The Sorensen Gross Construction Services bid is recommended as being in the best interest of the City as it is responsive (i.e. Sorensen Gross Construction Services has complied with all requirements of the bidding instructions) and it is the lowest price. (OHM's award recommendation letter including the bid tabulation dated June 25, 2014 is attached.) The award of the construction administration/engineering and construction observation is addressed as a separate action item. It should be noted that crew days were not used for this project as the crew day specification does not cover projects of a complex nature such as this project.

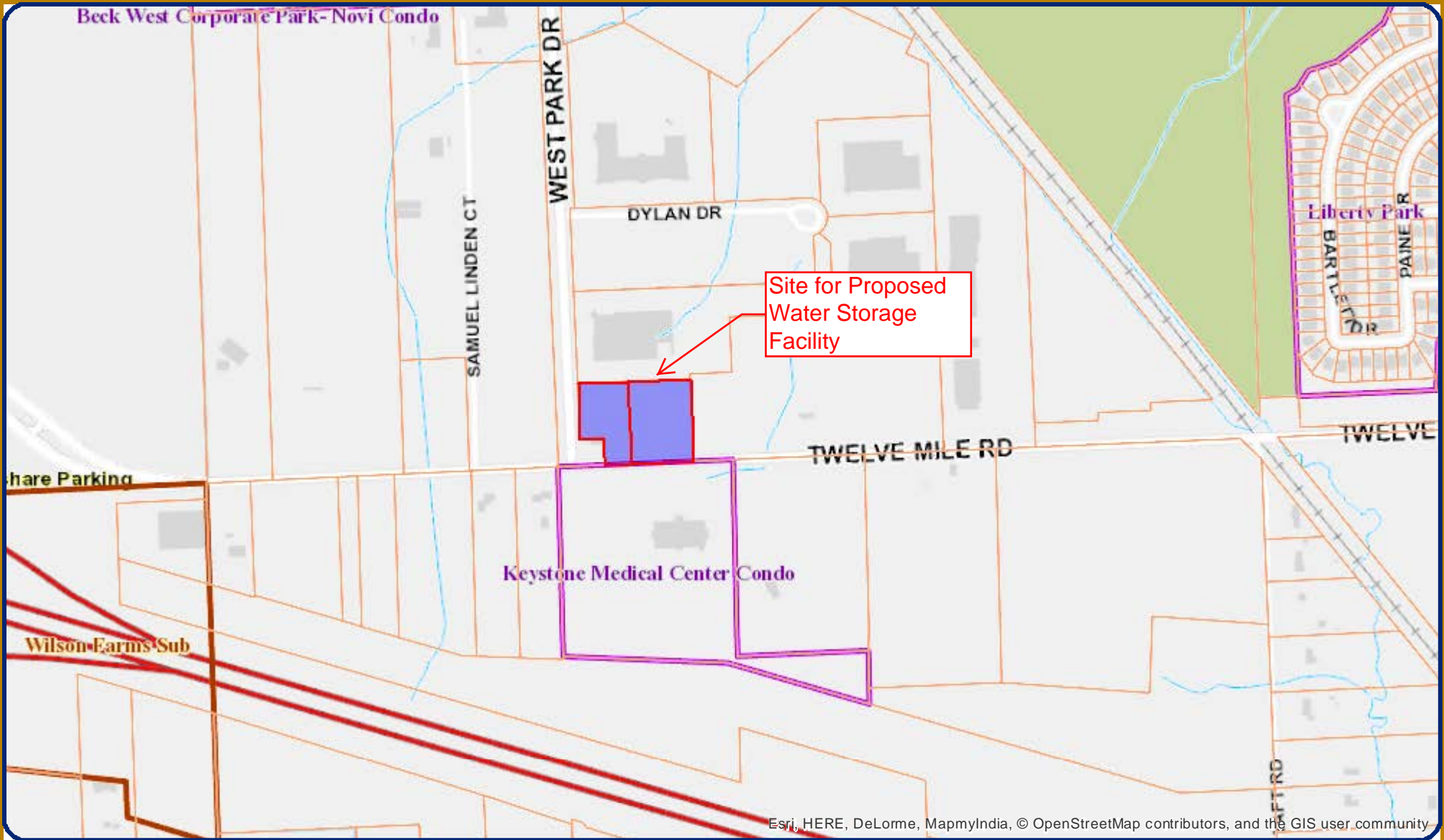
Construction is scheduled to begin in mid-July 2014 and completion is anticipated in late spring of 2015. The construction contract calls for final restoration of the site to be completed by May 15, 2015 in time for the high water usage season in the summer. It should be noted that commencement of this construction project is contingent on the City completing property acquisition of the Novi Corporate Park, LLC (NCP) parcel (parcel ID 50-22-09-451-022) at the scheduled July 7, 2014 property closing. If the acquisition is not completed by this date, the City may need to grant a conditional award of the construction project subject to successful acquisition of the NCP parcel.

RECOMMENDED ACTION: Approval to award a construction contract for the Water Storage Facility to be located at the northeast corner of West Park Drive and Twelve Mile Road to Sorensen Gross Construction Services, the low bidder, in the amount of \$3,363,889, subject to and contingent upon the City's acquisition of all required property for construction as proposed, including parcel 22-09-451-022, with the final form of the agreement to be reviewed and approved by the City Manager and City Attorney.

	1	2	Y	N
Mayor Gatt				
Mayor Pro Tem Staudt				
Council Member Casey				
Council Member Fischer				

	1	2	Y	N
Council Member Markham				
Council Member Mutch				
Council Member Wrobel				

Proposed Water Storage Site Map



Map Produced Using the
City of Novi, Michigan
Internet Mapping Portal



0 350 700 1,400
Feet
1 inch = 706 feet



Author: Kuhns
Date: 6/30/2014

MAP INTERPRETATION NOTICE

Map information depicted is not intended to replace or substitute for any official or primary source. This map was intended to meet National Map Accuracy Standards and use the most recent, accurate sources available to the people of the City of Novi. Boundary measurements and area calculations are approximate and should not be construed as survey measurements performed by a licensed Michigan Surveyor as defined in Michigan Public Act 132 of 1970 as amended. Please contact the City GIS Manager to confirm source and accuracy information related to this map. This map was produced under the terms of the City's Internet Site Use Policy available at <http://cityofnovi.org/Resources/SiteUsePolicy.asp>

JOB BENCHMARK #200
ARROW ON HYDRANT AT THE NE COR
OF W 12 MILE & W PARK DR
ELEV 964.71

JOB BENCHMARK #201
ARROW ON HYDRANT AT SE SIDE
OF ENT TO "BOSHOKU TOYOTA"
ELEV 965.24

JOB BENCHMARK #202
ARROW ON HYDRANT N SIDE
OF 12 MILE RD 6' S OF ROW
450' E OF CL W PARK DR
ELEV 961.64

TRAVERSE POINT #100
N 363642.54
E 13355510.42 ELEV 962.88

TRAVERSE POINT #101
N 364058.61
E 13355587.93 ELEV 964.93

TRAVERSE POINT #102
N 363663.23
E 13356041.86 ELEV 959.85

TRAVERSE POINT #103
N 363817.05
E 13355717.29 ELEV 963.38

STORM SEWER STRUCTURE INVENTORIES

#304 CATCH BASIN-IN CURB T/CAST 964.84
12" CONC INV W 956.54

#305 STORM MANHOLE T/CAST 965.07
12" CONC INV E 960.87
15" CONC INV W 960.87

#484 CATCH BASIN-IN CURB T/CAST 962.43
12" CONC INV W 957.63

WATER MAIN STRUCTURE INVENTORIES

#533 FIRE HYDRANT F.G. 962.28
#721 FIRE HYDRANT F.G. 962.75
#939 FIRE HYDRANT F.G. 959.09

#500 GATE WELL T/CAST 963.00
D.I.P T/P E-W 957.70
FULL OF WATER, CAN'T TELL SIZE OF PIPE

#563 GATE WELL T/CAST 963.04
D.I.P T/P E-W 956.04
FULL OF WATER, CAN'T TELL SIZE OF PIPE

#566 GATE WELL T/CAST 963.74
D.I.P T/P N-S 957.04
FULL OF WATER, CAN'T TELL SIZE OF PIPE

#581 GATE WELL T/CAST 964.33
D.I.P T/P N-S 967.43
FULL OF WATER, CAN'T TELL SIZE OF PIPE

#582 GATE WELL T/CAST 963.87
D.I.P T/P N-S 957.67
FULL OF WATER, CAN'T TELL SIZE OF PIPE

#640 GATE WELL T/CAST 964.36
D.I.P T/P E-W 958.36
FULL OF WATER, CAN'T TELL SIZE OF PIPE

#641 GATE WELL T/CAST 965.27
D.I.P T/P N-S 959.67
FULL OF WATER, CAN'T TELL SIZE OF PIPE

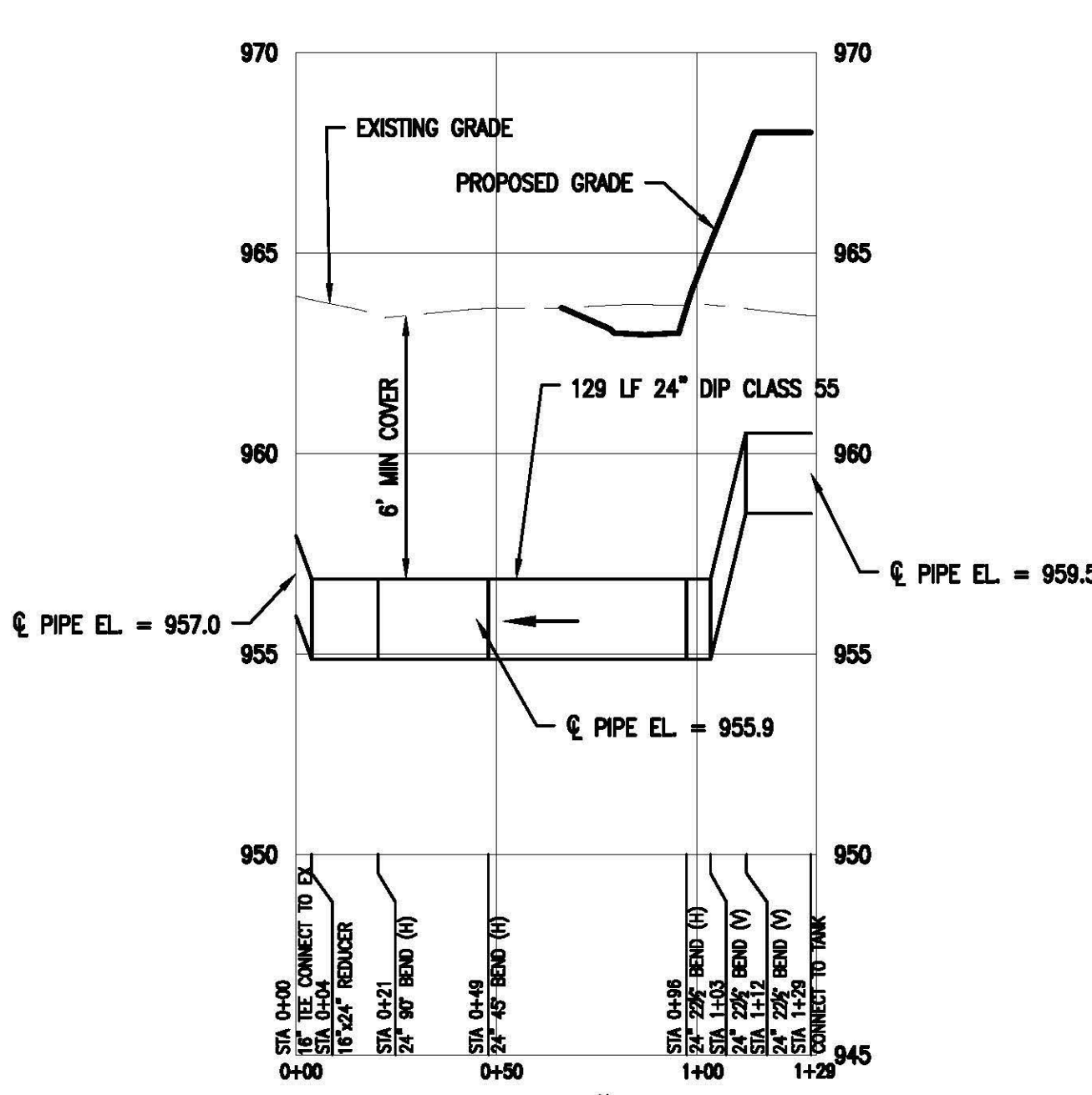
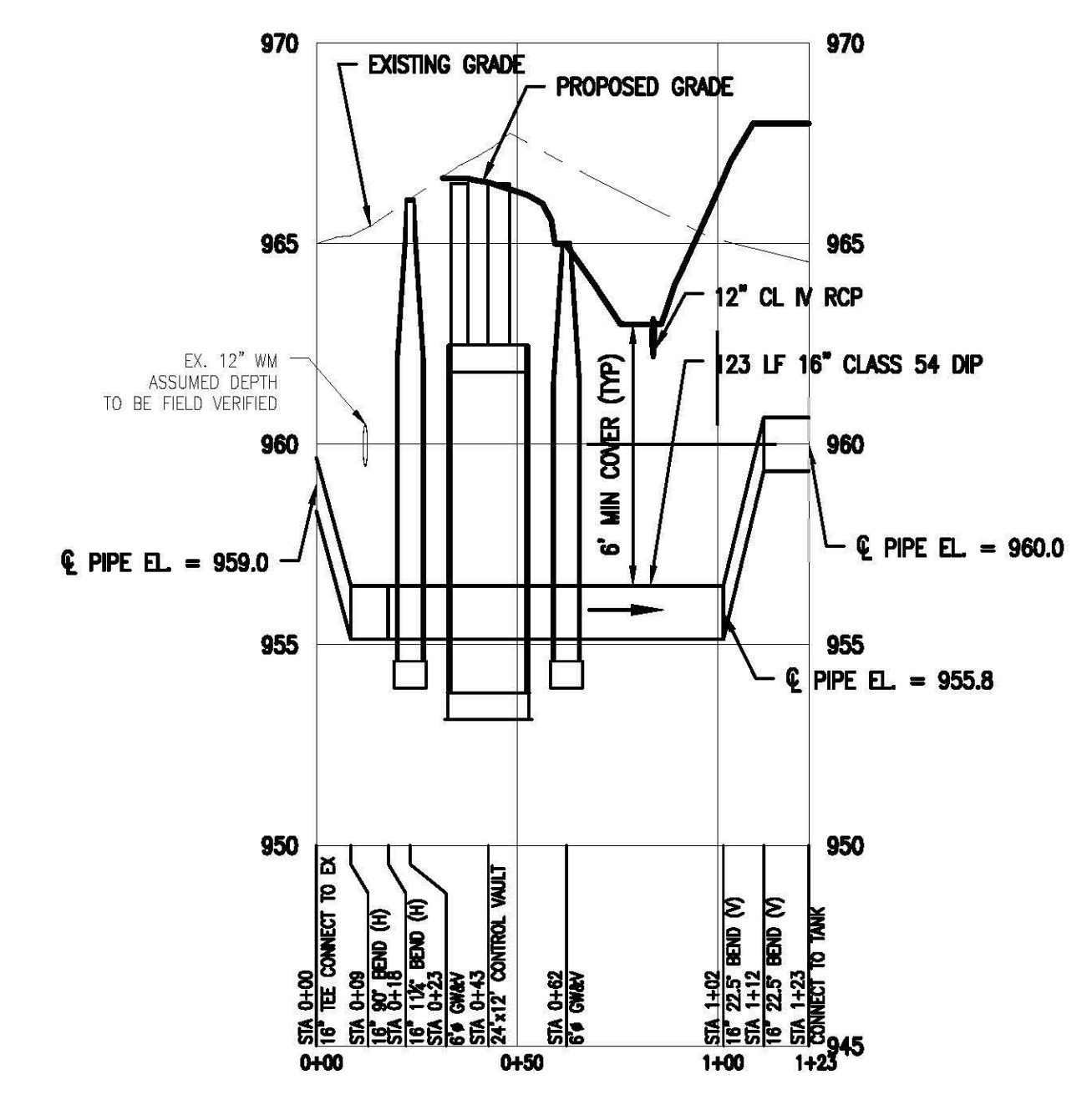
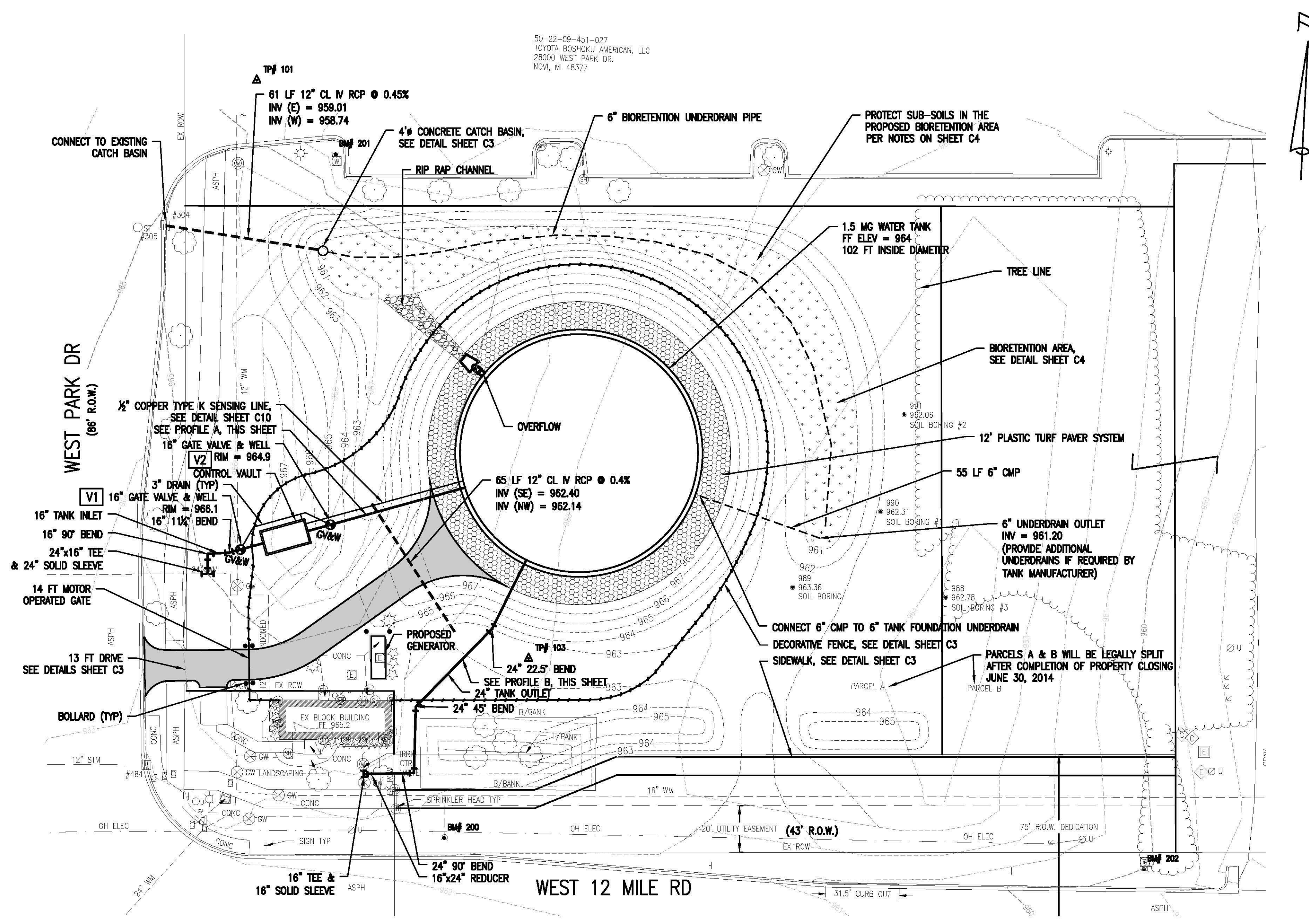
#798 GATE WELL T/CAST 962.12
D.I.P T/P N-S 956.12
FULL OF WATER, CAN'T TELL SIZE OF PIPE



PROJECT	WEST PARK DRIVE WATER STORAGE RESERVOIR & PUMPING STATION MODIFICATIONS
DATE	10/29/2013
CADD	SK
ENG ARCH	KA
PROJECTOR	KA
TOWN	1/N
RANGE	9
CITY	CITY OF NOVI
COUNTY	OAKLAND
CITY/STATE/TOWNSHIP	CITY OF NOVI
H-AS NOTED	V-AS NOTED
SCALE	V-AS NOTED
REVISIONS	0163-12-0210
VERT DATUM	NAVD83
HORIZ DATUM	NAVD83
CLIENT	CITY OF NOVI
DATE	APRIL 18, 2014
PROJECT	WEST PARK DRIVE WATER STORAGE RESERVOIR & PUMPING STATION MODIFICATIONS
DATE	APRIL 18, 2014
PROJECT	WEST PARK DRIVE WATER STORAGE RESERVOIR & PUMPING STATION MODIFICATIONS
DATE	APRIL 18, 2014
PROJECT	WEST PARK DRIVE WATER STORAGE RESERVOIR & PUMPING STATION MODIFICATIONS
DATE	APRIL 18, 2014
PROJECT	WEST PARK DRIVE WATER STORAGE RESERVOIR & PUMPING STATION MODIFICATIONS
DATE	APRIL 18, 2014
PROJECT	WEST PARK DRIVE WATER STORAGE RESERVOIR & PUMPING STATION MODIFICATIONS
DATE	APRIL 18, 2014
PROJECT	WEST PARK DRIVE WATER STORAGE RESERVOIR & PUMPING STATION MODIFICATIONS
DATE	APRIL 18, 2014

WEST PARK DRIVE WATER STORAGE
RESERVOIR & PUMPING STATION MODIFICATIONS
PROPOSED SITE PLAN AND PIPE PROFILES

DATE: 10/29/2013
CADD: SK
ENG ARCH: KA
PROJECTOR: KA
TOWN: 1/N
RANGE: 9
CITY: CITY OF NOVI
COUNTY: OAKLAND
CITY/STATE/TOWNSHIP: CITY OF NOVI
H-AS NOTED: V-AS NOTED
SCALE: V-AS NOTED
REVISIONS: 0163-12-0210
VERT DATUM: NAVD83
HORIZ DATUM: NAVD83
CLIENT: CITY OF NOVI
DATE: APRIL 18, 2014
PROJECT: WEST PARK DRIVE WATER STORAGE RESERVOIR & PUMPING STATION MODIFICATIONS
DATE: APRIL 18, 2014
PROJECT: WEST PARK DRIVE WATER STORAGE RESERVOIR & PUMPING STATION MODIFICATIONS
DATE: APRIL 18, 2014
PROJECT: WEST PARK DRIVE WATER STORAGE RESERVOIR & PUMPING STATION MODIFICATIONS
DATE: APRIL 18, 2014
PROJECT: WEST PARK DRIVE WATER STORAGE RESERVOIR & PUMPING STATION MODIFICATIONS
DATE: APRIL 18, 2014
PROJECT: WEST PARK DRIVE WATER STORAGE RESERVOIR & PUMPING STATION MODIFICATIONS
DATE: APRIL 18, 2014
PROJECT: WEST PARK DRIVE WATER STORAGE RESERVOIR & PUMPING STATION MODIFICATIONS
DATE: APRIL 18, 2014
PROJECT: WEST PARK DRIVE WATER STORAGE RESERVOIR & PUMPING STATION MODIFICATIONS
DATE: APRIL 18, 2014



- NOTES:**
- REMOVE ALL TREES, BUSHES, AND OTHER VEGETATION IN ACCORDANCE WITH SHEET C5.
 - RESTRAIN ALL PIPE.



Know what's below.
Call before you dig.

PROPOSED SITE PLAN
SCALE: 1" = 30'

DRAWING PATH: P:\0126_01680\163120210_Nov_Mean_Storage_TankModPlans_Consent\2021CON_01.dwg Jun 12, 2014 - 10:08am



ARCHITECTS. ENGINEERS. PLANNERS.
June 25, 2014

City of Novi DPS – Engineering Division
26300 Lee BeGole Drive
Novi, MI 48375

Attention: Tim Kuhns, P.E., Engineer

Regarding: City of Novi – West Park Drive Storage Reservoir & Pumping Station Modifications
Recommendation of Award
OHM Job # 0163-12-0211

Dear Mr. Kuhns:

Sealed bids for the West Park Drive Storage Reservoir & Pumping Station Modifications were received and publicly read aloud on June 24, 2014. Proposals were received from four (4) bidders. The four (4) bidders and their bid amounts are summarized below. The Engineer’s Opinion of Construction Cost for this project was estimated to be \$4,004,000.00

Contractor	Total Bid Amount	Alternate
Sorensen Gross Construction Services	\$ 3,363,889.00	\$ 3,239,239.00
Z Contractors	\$ 3,482,711.00	\$ 3,367,711.00
RCL Construction Co.	\$ 3,567,134.00	\$ 3,446,834.00
Spence Brothers	\$ 3,704,000.00	\$ 3,584,000.00

The project consists of the construction of a potable water storage reservoir, modifications to an existing pumping station, SCADA system upgrades and metering at five remote sites.

The work to be done under this Contract includes the furnishing of materials, equipment, and labor necessary to complete the proposed work, as well as all necessary restoration in accordance with the specifications.

Sorensen Gross Construction Services located in Flint, Michigan, is the apparent low bidder. Based on our past experience with this contractor, we recommend award of the West Park Drive Storage Reservoir & Pumping Station Modifications project to Sorensen Gross Construction Services in the amount of \$3,363,889.00, per the price bid for the project.

If you have any questions please do not hesitate to give our office a call at (734) 522-6711.

Sincerely,
OHM Advisors

Ken Arnold, P.E.
Project Manager

cc: File

P:\0126_0165\0163120210_Novi_Water_Storage_Tank_EWRG\Bidding\Award Recommendation 0163-12-0211.docx

CITY OF NOVI
Water Storage Reservoir
Bid Tab "As Read"
June 24, 2014 3:00 P.M.

This tabulation reflects submittal data by the following companies which have not been evaluated for accuracy of information. Final decision for award will be determined once the evaluation has been completed.

Company	Q & E	Bid Bond	Addendum	TOTAL BID AMOUNT	ALTERNATE
Sorensen Gross	Y	Y	Y	\$ 3,363,889.00	\$ 3,239,239.00
Z Contractors	Y	Y	Y	\$ 3,482,711.00	\$ 3,367,711.00
RCL Construction Co.	Y	Y	Y	\$ 3,567,134.00	\$ 3,446,834.00
Spence Brothers	Y	Y	Y	\$ 3,704,000.00	\$ 3,584,000.00