



CITY of NOVI CITY COUNCIL

**Agenda Item D
December 2, 2013**

SUBJECT: Approval to purchase furniture for various offices at the Department of Public Services facility from ISCG Inc. in the amount of \$18,511.79, based on pricing from the State of Michigan MiDeal cooperative purchasing program.

SUBMITTING DEPARTMENT: Department of Public Services, Department of Facility Operations *AP*

CITY MANAGER APPROVAL: *[Signature]*

EXPENDITURE REQUIRED	\$18,511.79
AMOUNT BUDGETED	\$17,000
APPROPRIATION REQUIRED	\$ 1,511.79 (to be included in 2nd Qtr. budget amendment)
LINE ITEM NUMBER	101-442.00-740.200

BACKGROUND INFORMATION:

The Department of Public Services' main building dates back to 1987 and so does much of the office furniture. Many of the office workstations are past the point of repair and are in need of replacement, not only due to safety and ergonomic concerns, but also aesthetics. The proposed furniture and design will allow the best use of the space to provide staff a better and more professional work environment for enhanced productivity and improved ergonomics.

The furniture proposed is Haworth's V-Series line, and installation will be performed after hours to have the least impact on normal business operations while providing optimal contractor scheduling.

The pricing is based on the State of Michigan's competitive MiDeal cooperative purchasing contract. Photographs depicting the proposed furniture are attached.

RECOMMENDED ACTION: Approval to purchase furniture for various offices at the Department of Public Services facility from ISCG Inc. in the amount of \$18,511.79, based on pricing from the State of Michigan MiDeal cooperative purchasing program.

	1	2	Y	N
Mayor Gatt				
Mayor Pro Tem Staudt				
Council Member Casey				
Council Member Fischer				

	1	2	Y	N
Council Member Markham				
Council Member Mutch				
Council Member Wrobel				



Integration expands your options.

Chances are good that V Series will have everything you need to outfit your space. Should you require additional elements, V Series has been specifically designed to integrate with X Series® casegoods. Because each line offers the same industry-leading features, they fit together seamlessly. As a result, you can extend your planning options and aesthetic possibilities without limit.



V Series Casegoods: Chalk paint. **V Series Storage and Overhead Storage Units:** Metallic Silver paint. **Mobile Pedestal Cushion:** Maharam, Crush, 009 Cousteau. **Zody® Task Seating** in White Leather seat, Wellness Mesh back and Polished Aluminum base.

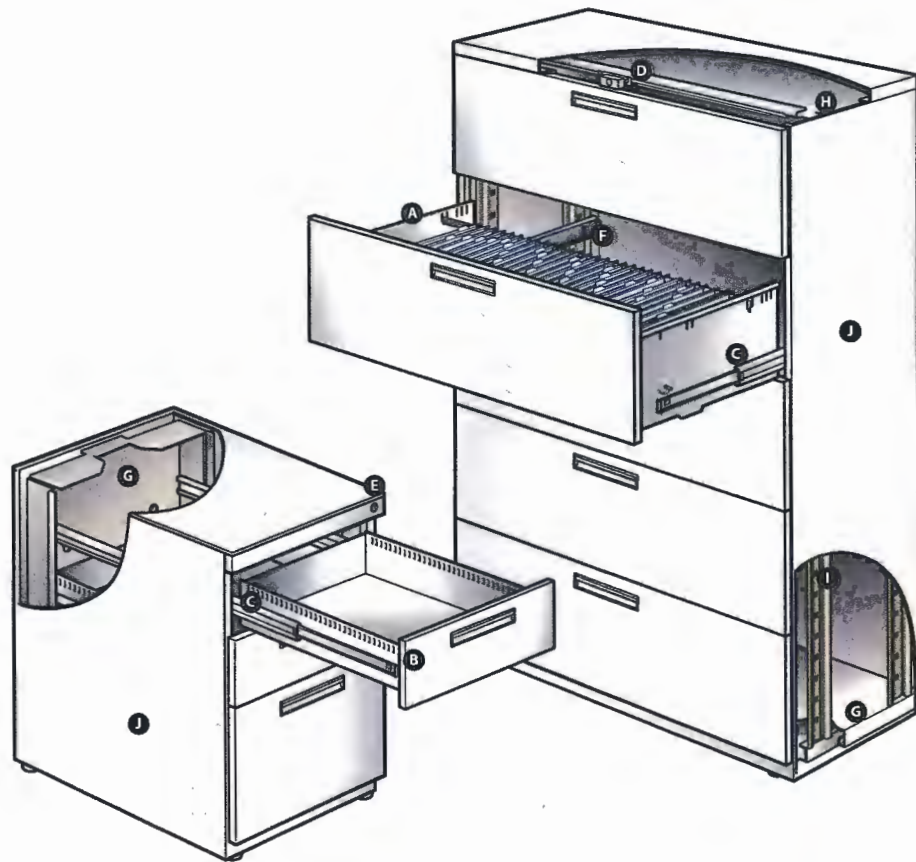
V Series[®]
Casegoods &
Storage

HAWORTH[®]



Strength and security.

Information security and employee performance are important considerations in choosing storage and casegoods. That's why V Series applies the same advanced engineering as our top-tier X Series casegoods and storage. Locking and safety mechanisms are designed for outstanding reliability and security. Patented box-in-box construction helps ensure long-lasting durability. And, naturally, all V Series products are backed by Haworth's lifetime warranty.



Function.

- A** Standard side-to-side hanging bars and optional front-to-back hanging rails ensure maximum filing capacity and accommodate customer preferences.
- B** Double-walled pedestal drawer fronts keep small items from getting lost in cracks.
- C** All drawers offer full extension – steel ball-bearing slides enable complete drawer access and smooth operation.

Security and safety.

- D** Rack-and-pinion lock mechanisms ensure smooth, reliable operation.
- E** The direct locking system engages steel lock bars directly into the steel drawer body for optimum security.
- F** For safety, the positive drawer interlock system allows only one drawer to be opened at a time.

Strength and durability.

- G** Patented box-in-box construction for file and tower cases and pedestal frame inserts add durability and prevent racking.
- H** An inner top constructed of one-piece, formed steel provides further support.
- I** Vertical file support channels feature a common rail and heavy gauge steel, providing additional structural support and strength.
- J** A wear-resistant finish is applied over a rust-inhibiting treatment.

Exceptional quality and value.

Being able to strike the right balance between quality and value has never been more critical. Haworth addresses this challenge head-on, paring V Series down to the desks, credenzas, personal storage towers, lateral files and pedestals. Through a streamlined product offering, V Series makes the most efficient use of your budget.



V Series Caseloads Statement of Line

Standard Double Pedestal Desk 60", 66" or 72"W x 24" or 30"D

Drawer Combinations



Standard Single Pedestal Desk 60", 66" or 72"W x 24" or 30"D

Drawer Combinations



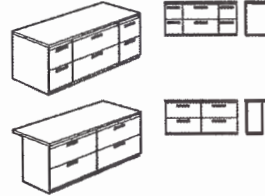
Return with Pedestal 36", 42", 48" or 60"W x 24"D

Drawer Combinations



Full Storage Credenzas 60" or 72"W x 24"D

Drawer Combinations



Pull Options



Full Pull



Standard Pull

V Series Storage Statement of Line

Lateral Files 30", 36" or 42"W x 18"D

5-High with
Receding Door

5-High

4-High

3-High

2-High



Personal Storage Towers 24"W x 23"D

5-High

4-High

Pedestals 15"W x 17", 23" or 29"D

Mobile Pedestal

Attached Pedestal



HAWORTH®

For more information call 800.344.2600 or 616.393.3000.
Download additional copies at haworth.com.

This brochure is printed on U2®:XG™, manufactured with electricity in the form of renewable energy (wind, hydro, biogas) and contains a minimum of 30% post-consumer recovered fiber. FSC is the global benchmark for responsible forest management.



Haworth is a registered trademark of Haworth, Inc.
Printed in USA ©Haworth, Inc. 2008 11.08 Item #0145

haworth.com | haworth-europe.com | haworth-asia.com