



**CITY OF NOVI CITY COUNCIL
AUGUST 30, 2021**

SUBJECT: Consideration of approval to purchase a 2021 International Combination Vactor Truck from Jack Doheny Company, through the Sourcewell Cooperative Purchasing Contract, in the amount of \$482,152.62.

SUBMITTING DEPARTMENT: Department of Public Works, Fleet Division

EXPENDITURE REQUIRED	\$ 482,152.62
AMOUNT BUDGETED	\$ 482,153.00
APPROPRIATION REQUIRED	\$ 0
LINE ITEM NUMBER	592-592.00-984.038 FLT013 Sewer Vacuum Truck

BACKGROUND INFORMATION:

This request is to replace #726; 2013 International Combination Vactor Truck with 4,124 engine hours. The sewer vacuum truck is critical piece of equipment for the DPW Water & Sewer Division. This asset is utilized on multiple jobs from sanitary system cleaning and televising, to lift station maintenance, hydro-excavation and utility locations. Using the hydro-excavation line in the front of the truck avoids damage to underground pipes, lines, and cables, which eliminates high expenses needed for repairs and restoration.

Trade in value of the existing asset is \$70,000.00; however, staff plans on auctioning the existing asset to maximize the sale value and offset the purchase price. The estimated delivery time is 8 to 10 months.

RECOMMENDED ACTION: Approval to purchase a 2021 International Combination Vactor Truck from Jack Doheny Company, through the Sourcewell Cooperative Purchasing Contract, in the amount of \$482,152.62.



Date: July 8, 2021
Branch: 1100-Northville

**Combination Single Engine Sewer Cleaner with Positive Displacement Vacuum
System Mounted on a Heavy Duty Truck Chassis**



Sourcewell Contract #122017-FSC

City of Novi
26300 Lee BeGole Drive
Novi, MI 48375
248/735-5644

Attn: Mr. Scott Roselle, Utilities Asset Manager / sroselle@cityofnovi.org
CC: Mr. Mike Rhatigan, Fleet Asset Manager / mrhatigan@cityofnovi.org

BM ID# 2021-42080
PROPOSAL ID# 16478

DOHENYCOMPANY.COM

			List	Selected
1	2115P-18	2100i PD, 18" Vacuum, 15 yrd Debris, Combo	\$263,268.00	\$263,268.00
1	2017P	Additional Water, 1500 Gal Total (15 yrd)	\$4,234.00	\$4,234.00
1	5002PA	80 GPM/2500 PSI	STD	STD
1	011PSTD	Aluminum Fenders	STD	STD
1	012PSTD	Mud Flaps	STD	STD
1	014PSTD	Electric/Hydraulic Four Way Boom	STD	STD
1	016PSTD	Color Coded Sealed Electrical System	STD	STD
1	019PASTD	Intuitouch Electronic Package	STD	STD
1	020PSTD	Double Acting Hoist Cylinder	STD	STD
1	025PSTD	Handgun Assembly w/35' x 1/2" Hose w/Quick Disconnects	STD	STD
1	026PSTD	Ex-Ten Steel Cylindrical Debris Tank	STD	STD
1	030PSTD	Flexible Hose Guide	STD	STD
1	032PSTD	(3) Nozzles with Carbide Inserts w/Rack	STD	STD
1	045PSTD	Suction Tube Storage - 4 Pipe	STD	STD
1	046PSTD	1" Nozzle Pipe	STD	STD
1	048PSTD	10' Leader Hose	STD	STD
1	1001PSTD	Flat Rear Door w/Hydraulic Locks	STD	STD
1	1005PSTD	Dual Stainless Steel Float Shut Off System	STD	STD
1	1016PSTD	Microstrainer Prior to Blower	STD	STD
1	1024PSTD	Debris Body Vacuum Relief System	STD	STD
1	1031PSTD	Debris Deflector Plate	STD	STD
1	1033PSTD	60" Dump Height	STD	STD
1	2001PSTD	Low Water Alarm with Water Pump Flow Indicator	STD	STD
1	2011PSTD	3" Y-Strainer at Passenger Side Fill	STD	STD
1	2022PSTD	Additional Water Tank Sight Gauge	STD	STD
1	2023PSTD	Liquid Float Level Indicator	STD	STD
1	3019PSTD	Digital Water Pressure Gauge	STD	STD
1	4006PSTD	Joystick Boom Control	STD	STD
1	4010PSTD	Boom Hose Storage, Post for 10 x 15 RDB	STD	STD
1	5011PSTD	3" Y-Strainer @ Water Pump	STD	STD
1	5012PSTD	Performance Package	STD	STD
1	5014PSTD	1" Water Relief Valve	STD	STD
1	5015PSTD	Midship High Pressure Coupling	STD	STD
1	5019PSTD	Chassis Engine Cooling Package	STD	STD
1	5022PSTD	Side Mounted Water Pump	STD	STD
1	6005PDSTD	Digital Hose Footage Counter	STD	STD
1	6007PSTD	Hose Reel Manual Hyd Extend/Retract	STD	STD
1	6009PSTD	Hose Reel Chain Cover	STD	STD
1	6020PBSTD	Hydraulic Extending 15", Rotating Hose Reel, 1" x 800' Capacity	STD	STD
1	6017PSTD	Hydraulic Tank Shutoff Valves	STD	STD
1	7001PSTD	Tachometer/Chassis Engine w/Hourmeter	STD	STD
1	7003PSTD	Water Pump Hour Meter	STD	STD
1	7004PSTD	PTO Hour Meter	STD	STD
1	7005PSTD	Hydraulic Oil Temp Alarm	STD	STD
1	7007PSTD	Tachometer & Hourmeter/Blower	STD	STD

Customer Initials: _____

1	8000PSTD	Circuit Breakers	STD	STD
1	8025PSTD	LED Lights, Clearance, Back-up, Stop, Tail & Turn	STD	STD
1	9002PSTD	Tow Hooks, Front	STD	STD
1	9002PSTD	Tow Hooks, Rear	STD	STD
1	9003PSTD	Electronic Back-Up Alarm	STD	STD
1	S390BSTD	7" Vacuum Pipe Package	STD	STD
1	S560STD	Emergency Flare Kit	STD	STD
1	S590STD	Fire Extinguisher 5 Lbs.	STD	STD
1	010P	48w x 22h x 24d Curbside Toolbox with Lighting	\$258.00	\$258.00
1	1003P	Debris Body Washout	\$1,592.00	\$1,592.00
1	1005PA	S.S Float Ball Cage for Float Shut Off System	\$580.00	\$580.00
1	1008PF	6" Rear Door Knife Valve w/Camlock, Air Actuated w/Port & Fixed Basket Screen, 6:00 Position	\$2,159.00	\$2,159.00
1	1009P	Internally Mounted Trash Pump w/Screen	\$11,094.00	\$11,094.00
1	1010P	Pump Off Plumbing, Outlet Location will be dependent on supplied chassis	\$3,061.00	\$3,061.00
1	1014PB	304SS Centrifugal Separators, Dustboxes, Plenum and Crossover Tubes	\$10,346.00	\$10,346.00
1	1015PG	Folding Pipe Rack, Curbside, 7" Pipe	\$1,104.00	\$1,104.00
1	1015PAB	Folding Pipe Rack, Streetside, 7" Pipe	\$1,104.00	\$1,104.00
1	1015PBKSTD	Fixed Rear Door Pipe Rack, 7" Pipe	STD	STD
1	1022P	Rear Door Splash Shield	\$1,621.00	\$1,621.00
1	1023P	Lube Manifold	\$2,407.00	\$2,407.00
1	1023PA	Plastic Lube Chart, included with Lube Manifold	STD	STD
1	1025P	Flat Rear Door Ports	\$258.00	\$258.00
1	2006P	Air Purge	\$1,364.00	\$1,364.00
1	3015PA	Hot Shift Blower Drive (automatic Transmission)	\$1,540.00	\$1,540.00
1	3017P	Blower High Temp Safety Shutdown	\$548.00	\$548.00
1	3020P	Digital Water Level Indicator	\$709.00	\$709.00
1	3021P	Digital Debris Body Level Indicator	\$950.00	\$950.00
1	4016P	180 deg. 10' x 15' Rapid Deployment Boom	\$22,752.00	\$22,752.00
1	4016PA	Heavy Duty RDB Hose	\$1,545.00	\$1,545.00
1	4008P	Grate Lifting Hook, Installed on Boom	\$322.00	\$322.00
1	4011PB	Bellypack Wireless Controls with hose reel controls, 2-way communications, and LCD Display	\$3,280.00	\$3,280.00
1	4013PB	Rotatable Boom Inlet Hose, 10 x 15 RDB	\$596.00	\$596.00
1	5008PB	Cold Weather Recirculator, PTO Driven, 25 GPM	\$1,809.00	\$1,809.00
1	5010PA	Rodder System Accumulator - Jack Hammer on/off Control at Front Hose Reel	\$824.00	\$824.00
1	5015P	High Pressure Couplers, Front and Rear	\$636.00	\$636.00
1	5021PC	Hydro Excavation Kit - Includes Lances, Nozzles, Storage Tray, and Vacuum Tubes	\$4,054.00	\$4,054.00
1	5029P	Cyclone Washout System	\$511.00	\$511.00
1	5029PA	RDB Washout Coupling	\$111.00	\$111.00
1	6002PB	600' x 1" Piranha Sewer Hose 2500 PSI in lieu of STD	\$955.00	\$955.00
1	6007PC	Hose Wind Guide (Dual Roller), Auto, Hydraulically Indexing with Pinch Roller	\$6,280.00	\$6,280.00
1	6014P	High Pressured Hose Reel	\$1,539.00	\$1,539.00

Customer Initials: _____

1	6019P	Rodder Pump Drain Valves	\$515.00	\$515.00
1	6019PA	Final Filter and Silencer Ball Valve Drains	\$464.00	\$464.00
1	6031P	Front Hose Reel Storage	\$309.00	\$309.00
1	8001PM	Rear Directional Control, LED Arrowstick	\$1,854.00	\$1,854.00
1	8002PA	Waterproof, Rechargeable, Wireless, Handheld, LED Spot Light w/12V Charger and Plug	\$373.00	\$373.00
1	8027P	LED Mid-Ship Turn Signals	\$561.00	\$561.00
1	8028P	Worklights (2), LED, 10 x 15 RDB	\$829.00	\$829.00
1	8029P	Worklights (2), LED, Rear Door	\$674.00	\$674.00
1	8029PC	Worklight, LED, Curb Side	\$613.00	\$613.00
1	9021PA	Camera System, Front and Rear	\$649.00	\$649.00
1	9023PA	Safety Cone Storage Rack - Post Style	\$170.00	\$170.00
1	9070PB	Long Handle Tool Storage	\$363.00	\$363.00
1	9071PEL	Toolbox, Behind Cab - 16w 30h x 96d - with Lighting	\$3,538.00	\$3,538.00
1	9072PBL	Toolbox, Driver Side Chassis Frame, 24w x 24h x 24d - with Lighting	\$1,918.00	\$1,918.00
1	9074PAL	Toolbox, Driver Side Subframe, 18w x 24h x 24d - with Lighting	\$1,630.00	\$1,630.00
1	P112STD	Module Paint, DuPont Imron Elite - Sanded Primer Base	STD	STD
1	P124W	Vactor 2100i Body Decal, White	STD	STD
1	LOGO-APPL.	Vactor/Guzzler Logos - Applied	STD	STD
1	500655B-30	Vactor Standard Manual and USB Version - 1 + Dealer	STD	STD
1	500655-30	1 Printed Full Vactor Manual	\$150.00	\$150.00
1	31096D-30	1" x 25' Leader Hose	\$549.86	\$549.86
1	34878-30	(1) Grate Lift Hook	\$86.91	\$86.91
1	20836-30	(1) Hydrant Wrench	\$30.42	\$30.42
1	52846-30	(1) Flexible Hose Guide	\$71.35	\$71.35
2	511656F-30	(2) 7" x 90" Vacuum Pipe Weldments	\$919.22	\$919.22
1	512117-30	(1) 7" x 36" Higbee Catch Basin Nozzle	\$709.14	\$709.14
1	Chassis- Mod	Chassis Modifications Charges	\$700.00	\$700.00
1	7874024-30	Upper Manhole Roller Guide	\$194.25	\$194.25
1	R27862	Expandable Metal Debris Storage Basket; 24w x 24d x 18h; with Hinged Access and Hasp-Pin Lock (located curb-side)	\$1,143.00	\$1,143.00
1	R41236	14 Light Package, 14 Federal Signal Strobe Lights, LED (Amber/Green/White Color)	\$4,170.00	\$4,170.00
1	R41474	Telescopic Tube Cleanout	\$3,000.00	\$3,000.00
1	R41177	Stainless Steel Inner Boom Tube on RDB Boom	\$3,202.00	\$3,202.00
	Chassis:			
1	HV607370TAUS	JDC Supplied Chassis: 2022 International HV607 SBA Tandem Axle Chassis, Cummins 9L, 370 HP Engine, Allison 3000 RDS Automatic Transmission	\$ 101,448.62	\$ 101,448.62

Module Paint Color - Red
Cab Color - Red

Customer Initials: _____

Sourcewell Build-Proposal Summary

Module/Options Total:	\$386,809.15
Options Sourcewell Discount 3%:	\$ 11,604.27
Module/Options Total per Sourcewell Price Schedule:	\$ 375,204.88
JDC Supplied Chassis:	\$ 101,448.62
Total with Module, Options, and Chassis:	\$ 476,652.62
Freight and PDI:	\$ 3,500.00
Field Training:	\$ 2,000.00
Total:	\$ 482,152.62
Trade-In Allowance:	\$ (70,000.00)
Total with Trade-In:	\$ 412,152.62

Trade-In Unit:

Vactor 2115 mounted on a 2013 International Chassis
S/N: 12-09V-13358
VIN: 1HTWNAZT2DJ160950

Terms and Conditions

Acceptance of this Proposal is subject to availability of the Equipment listed above.
Sales Price does not include any applicable sales taxes. Buyer is responsible for and agrees to pay all applicable sales tax.
The Sale of New Equipment Terms and Conditions are incorporated into and made a part of this Proposal upon acceptance and execution of this Proposal by both parties.
Execution of this Proposal by Seller and Buyer constitutes a binding agreement between the parties.
If this Proposal is not executed by both parties within thirty (30) calendar days from the Proposal Date, this Proposal shall become null and void, unless subsequently executed by both Buyer and

Thank you for your consideration of this proposal.

Sincerely yours,

Dave Snyder

David R. Snyder
Regional Sales Representative
248/939-3223
DavidSnyder@dohenycompany.com

This proposal becomes a contract for delivery and payment of the merchandise listed above only when signed by the customer or one of its officers.

Customer: City of Novi

By: _____

Date: _____

Customer Initials: _____

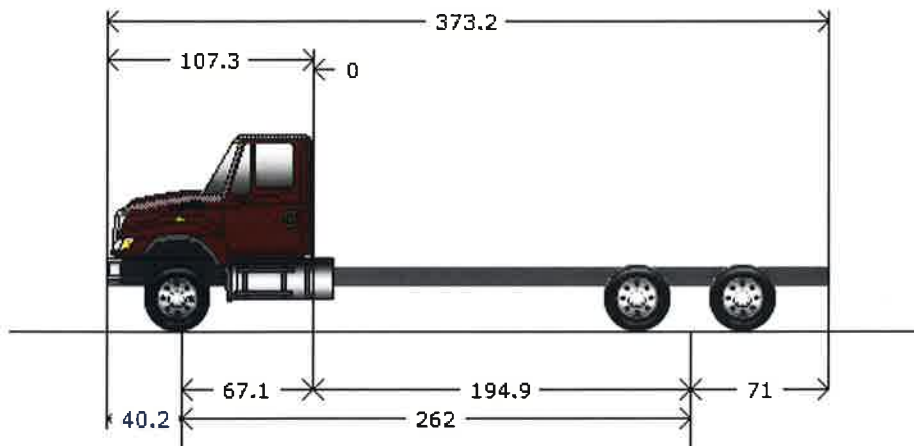
Prepared For:

City of Novi
 Mike Rhatigan
 45175 W 10 Mile Rd.
 Novi, MI 48375-3024
 (248)735 - 5656
 Reference ID: N/A

Presented By:

TRI COUNTY INTL TRUCKS
 Jeremy Kast
 3001 E HIGH ST
 JACKSON MI 49203
 (517)783-2721

Thank you for the opportunity to provide you with the following quotation on a new International truck. I am sure the following detailed specification will meet your operational requirements, and I look forward to serving your business needs.



**Model Profile
 2022 HV607 SBA (HV607)**

AXLE CONFIG:	6X4
MISSION:	Requested GVWR: 66000. Calc. GVWR: 66000 Calc. Start / Grade Ability: 18.38% / 2.14% @ 55 MPH Calc. Geared Speed: 69.6 MPH
DIMENSION:	Wheelbase: 262.00, CA: 194.90, Axle to Frame: 71.00
ENGINE, DIESEL:	{Cummins L9 370} EPA 2021, 370HP @ 2100 RPM, 1250 lb-ft Torque @ 1200 RPM, 2100 RPM Governed Speed, 370 Peak HP (Max)
TRANSMISSION, AUX., RELOCATED:	Jack Shaft at Front Flange, Pin Center 92" Back of Cab; with Minus 3 Degree Angle
TRANSMISSION, AUTOMATIC:	{Allison 3000 RDS} 5th Generation Controls, Close Ratio, 6-Speed with Double Overdrive, with PTO Provision, Less Retarder, Includes Oil Level Sensor, with 80,000-lb GVW and GCW Max, On/Off Highway
CLUTCH:	Omit Item (Clutch & Control)
AXLE, FRONT NON-DRIVING:	{Meritor MFS-20-133A} Wide Track, I-Beam Type, 20,000-lb Capacity
AXLE, REAR, TANDEM:	{Meritor RT-46-164EH} Single Reduction, Standard Width, 46,000-lb Capacity, Driver Controlled Locking Differential in Forward-Rear and Rear-Rear Axle, 200 Wheel Ends Gear Ratio: 5.63
CAB:	Conventional, Day Cab
TIRE, FRONT:	(2) 425/65R22.5 Load Range L HAC 3 (CONTINENTAL), 465 rev/mile, 68 MPH, All-Position
TIRE, REAR:	(8) 11R22.5 Load Range G FUEL MAX RTD (GOODYEAR), 495 rev/mile, 75 MPH, Drive
SUSPENSION, REAR, TANDEM:	{Hendrickson HMX EX 460} Walking Beam, 46,000-lb Capacity, 54" Axle Spacing, Rubber Springs, with Transverse Torque Rods, Rubber End Bushings
FRAME REINFORCEMENT:	Full Outer C-Channel, Heat Treated Alloy Steel (120,000 PSI Yield), 10.813" x 3.892" x 0.312" (274.6mm x 98.8mm x 7.9mm), 480.0" (12192mm) OAL
PAINT:	Cab schematic 100WL

Code	Description	F/R Wt Tot Wt	
		(lbs)	(lbs)
HV60700	Base Chassis, Model HV607 SBA with 262.00 Wheelbase, 194.90 CA, and 71.00 Axle to Frame.	6136/3644	9780

AXLE CONFIGURATION

1AND	AXLE CONFIGURATION {Navistar} 6x4 <u>Notes</u> : Pricing may change if axle configuration is changed.	0/0	0
------	---	-----	---

ENGINE

12ESR	ENGINE, DIESEL {Cummins L9 370} EPA 2021, 370HP @ 2100 RPM, 1250 lb-ft Torque @ 1200 RPM, 2100 RPM Governed Speed, 370 Peak HP (Max)	577/-13	564
12XCS	CARB EMISSION WARR COMPLIANCE Federal, Does Not Comply with CARB Emission Warranty	0/0	0
12WZE	CARB IDLE COMPLIANCE Federal, Does Not Comply with California Clean Air Idle Regulations	0/0	0
12VHR	EMISSION, CALENDAR YEAR {Cummins L9} EPA, OBD and GHG Certified for Calendar Year 2021	0/0	0
12UWY	RADIATOR Aluminum, Cross Flow, Front to Back System, 1228 SqIn, with 1167 SqIn Charge Air Cooler <u>Includes</u> : DEAERATION SYSTEM with Surge Tank : HOSE CLAMPS, RADIATOR HOSES Gates Shrink Band Type; Thermoplastic Coolant Hose Clamps : RADIATOR HOSES Premium, Rubber	0/0	0
12THT	FAN DRIVE {Horton Drivemaster} Two-Speed Type, Direct Drive, with Residual Torque Device for Disengaged Fan Speed <u>Includes</u> : FAN Nylon	0/0	0
12VBB	AIR CLEANER Dual Element	4/0	4
12703	ANTI-FREEZE Red, Extended Life Coolant; To -40 Degrees F/ -40 Degrees C, Freeze Protection	0/0	0
12849	BLOCK HEATER, ENGINE 120V/1000W, for Cummins ISB/B6.7/ISL/L9 Engines <u>Includes</u> : BLOCK HEATER SOCKET Receptacle Type; Mounted below Drivers Door	3/0	3
12XBM	ENGINE CONTROL, REMOTE MOUNTED Provision for; Includes Wiring for Body Builder Installation of PTO Controls and Starter Lockout, with Ignition Switch Control, for Cummins B6.7 and L9 Engines	0/0	0
12WUN	ENGINE WATER COOLER Auxiliary, Supply and Return Connections for Customer Installed Cooler Package, Located Inside Right Frame Rail Under Cab	0/0	0
12WBR	FAN OVERRIDE Manual; with Electric Switch on Instrument Panel, (Fan On with Switch On)	0/0	0
12VXT	THROTTLE, HAND CONTROL Engine Speed Control; Electronic, Stationary, Variable Speed; Mounted on Steering Wheel	0/0	0

TRANSMISSION

13AVR	TRANSMISSION, AUTOMATIC {Allison 3000 RDS} 5th Generation Controls, Close Ratio, 6-Speed with Double Overdrive, with PTO Provision, Less Retarder, Includes Oil Level Sensor, with 80,000-lb GVW and GCW Max, On/Off Highway	240/43	283
13WYH	TRANSMISSION TCM LOCATION Located Inside Cab	0/0	0

<u>Code</u>	<u>Description</u>	<u>F/R Wt</u> (lbs)	<u>Tot Wt</u> (lbs)
	: CONSOLE, OVERHEAD Molded Plastic with Dual Storage Pockets, Retainer Nets and CB Radio Pocket; Located Above Driver and Passenger		
	: DOME LIGHT, CAB Door Activated and Push On-Off at Light Lens, Timed Theater Dimming, Integral to Overhead Console, Center Mounted		
	: SUN VISOR (2) Padded Vinyl; 2 Moveable (Front-to-Side) Primary Visors, Driver Side with Toll Ticket Strap		
16WSK	CAB REAR SUSPENSION Air Bag Type	0/0	0
16WLS	FRESH AIR FILTER Attached to Air Intake Cover on Cowl Tray in Front of Windshield Under Hood	0/0	0
16GED	GAUGE CLUSTER Base Level; English with English Electronic Speedometer <u>Includes</u> : GAUGE CLUSTER DISPLAY: Base Level (3" Monochromatic Display), Premium Level (5" LCD Color Display); Odometer, Voltmeter, Diagnostic Messages, Gear Indicator, Trip Odometer, Total Engine Hours, Trip Hours, MPG, Distance to Empty/Refill for : GAUGE CLUSTER Speedometer, Tachometer, Engine Coolant Temp, Fuel Gauge, DEF Gauge, Oil Pressure Gauge, Primary and Secondary Air Pressure : WARNING SYSTEM Low Fuel, Low DEF, Low Oil Pressure, High Engine Coolant Temp, Low Battery Voltage (Visual and Audible), Low Air Pressure (Primary and Secondary)	0/0	0
16HHE	GAUGE, AIR CLEANER RESTRICTION {Filter-Minder} with Black Bezel, Mounted in Instrument Panel	2/0	2
16HGH	GAUGE, OIL TEMP, AUTO TRANS for Allison Transmission	1/0	1
16SEE	GRAB HANDLE, EXTERIOR Chrome, Towel Bar Type, with Anti-Slip Rubber Inserts, for Cab Entry Mounted Left Side at B-Pillar	3/0	3
16XJN	INSTRUMENT PANEL Flat Panel	0/0	0
16HKT	IP CLUSTER DISPLAY On Board Diagnostics Display of Fault Codes in Gauge Cluster	0/0	0
16SNX	MIRROR, CONVEX, LOOK DOWN Right Side, Bright, 6" x 10.5"	0/0	0
16SNR	MIRRORS (2) C-Loop, Power Adjust, Heated, LED Clearance Lights, Bright Heads and Arms, 7.5" x 14" Flat Glass, Includes 7.5" x 7" Convex Mirrors, for 102" Load Width <u>Notes</u> : Mirror Dimensions are Rounded to the Nearest 0.5"	0/0	0
16SJX	MIRROR, CONVEX, HOOD MOUNTED {Lang Mekra} (2) Right and Left Sides, Bright, Heated, 7.5" Sq.	9/0	9
16JJD	SEAT, DRIVER {National 2000 195} Air Suspension, High Back with Integral Headrest, Cloth, Isolator, 3 Chamber Lumbar, 2 Position Front Cushion Adjust, -3 to +14 Degree Back Angle Adjust, Cushion and Back Bolsters	-14/-3	-17
16RPX	SEAT, PASSENGER {National} Air-Suspension, High Back with Integral Headrest, Cloth, Isolated, 1 Chamber Lumbar, 2 Position Front Cushion Adjustment, -3 to +14 Degree Seat Back Adjustment	78/18	96
16XWD	SUNSHADE, EXTERIOR Aerodynamic, Painted Roof Color, with Integral Clearance/Marker Lights	15/2	17
16WJU	WINDOW, POWER (2) and Power Door Locks, Left and Right Doors, Includes Express Down Feature	5/0	5
FRAMES			
1CBU	FRAME RAILS Heat Treated Alloy Steel (120,000 PSI Yield); 10.125" x 3.580" x 0.312" (257.2mm x 90.9mm x 8.0mm); 480.0" (12192) Maximum OAL	163/335	498

<u>Code</u>	<u>Description</u>	<u>F/R</u>	<u>Wt</u>	<u>Tot Wt</u>
		(lbs)	(lbs)	(lbs)
EXHAUST SYSTEMS				
7BLW	EXHAUST SYSTEM Horizontal Aftertreatment System, Frame Mounted Right Side Under Cab, for Single Vertical Tail Pipe, Frame Mounted Right Side Back of Cab	149/28		177
7BEU	AFTERTREATMENT COVER Aluminum	9/2		11
7SDP	ENGINE COMPRESSION BRAKE {Jacobs} for Cummins ISL/L9 Engines; with Selector Switch and On/Off Switch	44/4		48
7WCM	EXHAUST HEIGHT 8' 10"	1/0		1
7WDN	MUFFLER/TAIL PIPE GUARD (1) Aluminum	0/0		0
7WZX	SWITCH, FOR EXHAUST 3 Position, Momentary, Lighted Momentary, ON/CANCEL, Center Stable, INHIBIT REGEN, Mounted in IP Inhibits Diesel Particulate Filter Regeneration When Switch is Moved to ON While Engine is Running, Resets When Ignition is Turned OFF	2/0		2
7WAZ	TAIL PIPE (1) Turnback Type	0/0		0
ELECTRICAL SYSTEMS				
8000	ELECTRICAL SYSTEM 12-Volt, Standard Equipment <u>Includes</u> : DATA LINK CONNECTOR For Vehicle Programming and Diagnostics In Cab : HAZARD SWITCH Push On/Push Off, Located on Instrument Panel to Right of Steering Wheel : HEADLIGHT DIMMER SWITCH Integral with Turn Signal Lever : PARKING LIGHT Integral with Front Turn Signal and Rear Tail Light : STARTER SWITCH Electric, Key Operated : STOP, TURN, TAIL & B/U LIGHTS Dual, Rear, Combination with Reflector : TURN SIGNAL SWITCH Self-Cancelling for Trucks, Manual Cancelling for Tractors, with Lane Change Feature : WINDSHIELD WIPER SWITCH 2-Speed with Wash and Intermittent Feature (5 Pre-Set Delays), Integral with Turn Signal Lever : WINDSHIELD WIPERS Single Motor, Electric, Cowl Mounted : WIRING, CHASSIS Color Coded and Continuously Numbered	0/0		0
8WXD	ALARM, PARKING BRAKE Electric Horn Sounds in Repetitive Manner When Vehicle Park Brake is "NOT" Set, with Ignition "OFF" and any Door Opened	0/0		0
8GXB	ALTERNATOR {Leece-Neville AVI160P2003} Brush Type, 12 Volt, 240 Amp Capacity, Pad Mount, with Remote Sense	1/0		1
8RPR	ANTENNA for Increased Roof Clearance Applications	1/0		1
8THB	BACK-UP ALARM Electric, 102 dBA	0/3		3
8VUV	BATTERY BOX Omit, Batteries to be Mounted Temporarily, Body Builder to Supply Battery Box	0/0		0
8TNR	BATTERY CABLES with 36" of Extra Length Coiled and Strapped Near Battery Box	2/0		2
8MJU	BATTERY SYSTEM {Fleetrite} Maintenance-Free, (3) 12-Volt 2850CCA Total, Top Threaded Stud	49/25		74
8HAB	BODY BUILDER WIRING Back of Day Cab at Left Frame or Under Sleeper, Extended or Crew Cab at Left Frame; Includes Sealed Connectors for Tail/Amber Turn/Marker/ Backup/Accessory Power/Ground and Sealed Connector for Stop/Turn	2/0		2
8XAH	CIRCUIT BREAKERS Manual-Reset (Main Panel) SAE Type III with Trip Indicators, Replaces All Fuses	0/0		0
8518	CIGAR LIGHTER Includes Ash Cup	1/0		1
8WPH	CLEARANCE/MARKER LIGHTS (5) {Truck Lite} Amber LED Lights, Flush Mounted on Cab or Sunshade	0/0		0
8XNY	HEADLIGHTS Halogen	0/0		0

Code	Description	F/R	Wt (lbs)	Tot Wt (lbs)
WHEELS, TIRES - FRONT				
27DJJ	WHEELS, FRONT {Alcoa 82462} DISC; 22.5x12.25 Rims, Mirror Polish Aluminum, 10-Stud, 285.75mm BC, Hub-Piloted, Flanged Nut, with Steel Hubs	-12/0		-12
7752665441	(2) TIRE, FRONT 425/65R22.5 Load Range L HAC 3 (CONTINENTAL), 465 rev/mile, 68 MPH, All-Position	132/0		132

WHEELS, TIRES - REAR				
28DWG	WHEELS, REAR {Alcoa ULT39} DUAL DISC; 22.5x8.25 Rims, Mirror Polish Aluminum, 10-Stud, 285.75mm BC, Hub-Piloted, Flanged Nut, with Steel Hubs	0/-262		-262
7372138137	(8) TIRE, REAR 11R22.5 Load Range G FUEL MAX RTD (GOODYEAR), 495 rev/mile, 75 MPH, Drive Cab schematic 100WL Location 1: 2303, Red (Std) Chassis schematic N/A	0/64		64

Services Section:

WARRANTY				
40128	WARRANTY Standard for HV507, HV50B, HV607 Models, Effective with Vehicles Built July 1, 2017 or Later, CTS-2025A	0/0		0
40RBE	SERVICES, TOWING {Navistar} Service Call to 12-Month/Unlimited Mileage to the Nearest Navistar Dealer for Navistar Warrantable Failure as Contract Defined; Includes Engine Failure if Supplier Declines Tow Coverage & ESC Supplied thru Navistar; \$550 (USA) Maximum Benefit per Incident	0/0		0

Total Component Weight: 9171/7545 16716

The weight calculations included in this proposal are an estimate of future vehicle weight. The actual weight as manufactured may be different from the estimated weight. Navistar, Inc. shall not be liable for any consequences resulting from any differences between the estimated weight of a vehicle and the actual weight.

PTO Min Engine Speed	750	RPM
PTO Maximum Engine Load	800	LB-FT
PTO Max Vehicle Speed	2	MPH
PTO Accelerator Override	N, DISABLE FEATURE OR FUNCTION	N/A
PTO Accel Override Max Engine Speed	2300	RPM
PTO Clutch Override	N, DISABLE FEATURE OR FUNCTION	N/A
PTO Service Brake Override	Y, ENABLE FEATURE OR FUNCTION	N/A
PTO Parking Brake Interlock Mode	1, PTO PRK BRK INT TYPE SET TO CAB ONLY	N/A
PTO Transmission Neutral Interlock	N, DISABLE FEATURE OR FUNCTION	N/A
PTO Eng Spd Limit w/VSS Limit	N, DISABLE FEATURE OR FUNCTION	N/A
PTO Ignore Vehicle Speed Sensor	N, DISABLE FEATURE OR FUNCTION	N/A
PTO Resume Switch Speed	925	RPM
PTO Set Switch Speed	850	RPM
PTO Additional Switch Speed	950	RPM
PTO Ramp Rate	250	RPM/SEC
Remote PTO Number of Speed Settings	1	N/A
Remote PTO Speed Setting 1	1000	RPM
Remote PTO Speed Setting 2	1200	RPM
Remote PTO Speed Setting 3	1400	RPM
Remote PTO Speed Setting 4	1400	RPM
Remote PTO Speed Setting 5	1500	RPM
Remote Station PTO Resume Sw Spd	1000	RPM
Remote Station PTO Set Switch Speed	1500	RPM
Remote Station PTO Addition Sw Spd	1500	RPM
Transmission Driven PTO	N, DISABLE FEATURE OR FUNCTION	N/A
Transmission Driven PTO Type	0, ENGINE DRIVEN STEADY LOAD	N/A
Powertrain Protection Enable	N, DISABLE FEATURE OR FUNCTION	N/A
Max Torque Allow By Axle/Driveshaft	23602	LB-FT
Max Torque in Top Gear Range	2995	LB-FT
Max Torque in Int. Gear Range	2995	LB-FT
Max Torque in Low Gear Range	2995	LB-FT
Max Torque w/o Vehicle Speed	1475	LB-FT
Lowest Gear of Top Gear Range	2.00	N/A
Lowest Gear of Int. Gear Range	3.00	N/A
Lowest Gear of Low Gear Range	6.00	N/A
Engine Protection Shutdown	Y, ENABLE FEATURE OR FUNCTION	N/A
Engine Protection Restart Inhibit	Y, ENABLE FEATURE OR FUNCTION	N/A
Engine Prot Coolant Level Shutdown	N, DISABLE FEATURE OR FUNCTION	N/A
Sudden Veh Speed Decel Threshold	6.96	MPH
Trip Information Vehicle Ovrsped1	75	MPH
Trip Information Vehicle Ovrsped2	77	MPH
Veh Speed Sensor Anti Tamper Level	1, HIGH LEVEL	N/A
Maintenance Monitor Enable	N	N/A
Maintenance Monitor Operating Mode	0, MAINTENANCE MONITOR AUTOMATIC MODE OF OPERATION	N/A
Maintenance Monitor Alert Percent	90	%
Maintenance Monitor Distance	15000	MILES
Maintenance Monitor Fuel	2000	GALLONS
Maintenance Monitor Time	500	HOURS
Maintenance Monitor Interval Factor	1.00	N/A
Master Password	000000	N/A
Adjustment Password	000000	N/A
Reset Password	000000	N/A

These Electronic Parameters have not been finalized

This information is based on engineering information available at this time. Actual figures may vary. Navistar, Inc. cannot accept liability for consequences due to this variance.